



R_w 41 ÷ 56 dB

35
mm

Aesthetic profile

GSW Office Plus

System features

A double-glazed system dedicated for rooms meant to host confidential talks, such as directors' offices and conference rooms

- ✓ the highest acoustic insulation parameters – R_w even up to 56 dB – for office rooms requiring the highest level of privacy,
- ✓ mounting profile 35 mm high, consistent with all GSW Office products,
- ✓ quick and convenient assembly thanks to a system of spacers and special elements protecting glass during installation,



Specification

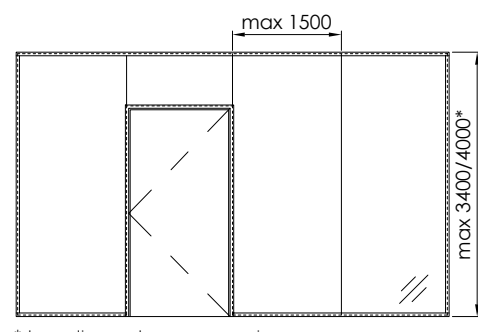
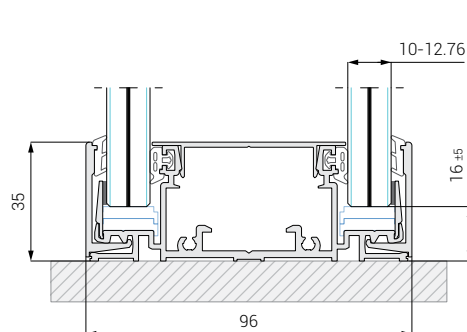
	GSW Office Plus Vision	GSW Office Plus Grid
Category of use	IV	
Category of space	A, B, C, D, E	
Type of glass	ESG 10, 12; VSG 55.X, 66.X, 88.2	ESG 8, 10, 12; VSG 44.X, 55.X, 66.X, 88.2
Max. height (mm)	3400 mm	4000 mm
Acoustic insulation	R_w 41 ÷ 52 dB / R_{A1} 39 ÷ 50 dB	R_w 47 ÷ 56 dB / R_{A1} 44 ÷ 54 dB
Fire resistance	-	-
Material / finish	Anodized aluminum / RAL aluminum	
Approval document	ETA-17/1050	

Acoustic insulation

Wall variant	Glass	R_w [dB]	C [dB]	R_{A1} [dB]
Vision	ESG 10 + ESG 10	41	-2	39
	ESG 10 + VSG 55.1	43	-1	42
	VSG 55.1 + VSG 66.2	44	-2	42
	VSG 66.2 + VSG 66.2	46	-1	45
	VSG 66.2 + VSG 66.2	48	-2	46
	VSG 66.2 Si* + VSG 55.1	45	-2	43
	VSG 66.2 Si* + VSG 55.2 Si*	47	-2	45
	VSG 66.2 Si* + VSG 66.2 Si*	48	-1	47
	VSG 66.2 Si* + VSG 66.2 Si*	52	-2	50
	VSG 88.2 Si* + VSG 88.2 Si*	51	-1	50
endoFin	VSG 66.2 + VSG 66.2	48	-1	47
	VSG 66.2 Si* + VSG 66.2 Si*	51	-1	50
endoGrid	VSG 66.2 + VSG 66.2	49	-3	46
	VSG 66.2 Si* + VSG 66.2 Si*	52	-3	49
	VSG 66.2 Si* + VSG 66.2 Si*	56	-3	53
	VSG 66.2 + VSG 66.2	53	-2	51
egzoGrid	VSG 66.2 Si* + VSG 66.2 Si*	56	-2	54
	VSG 44.1 + VSG 55.1	47	-3	44
	VSG 66.2 Si* + VSG 66.2 Si*	51	-1	50
	VSG 66.2 Si* + VSG 66.2 Si*	55	-2	53
	VSG 44.1 + VSG 55.1	50	-2	48
	VSG 66.2 Si* + VSG 66.2 Si*	53	-1	52

endoGrid - internal muntins
egzoGrid - external muntins

*Si - Saint-Gobain Glass Stadip Silence



*depending on the system version