



$R_w$  35 ÷ 43 dB



system consistency  
with GSW Office

## Urban Plus door

### System description

Single or double glazed glass doors in an aluminum frame. High aesthetic and design values, with very high acoustic insulation parameters.

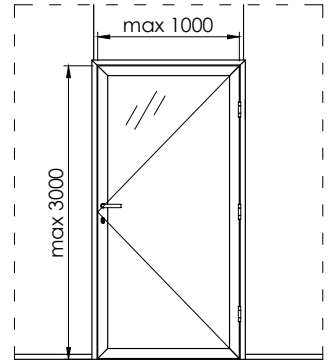
- ✓ universal mounting methods in any type of GSW Office frame - both single and double glazed walls,
- ✓ double glazing provides the highest possible acoustic insulation parameters in GSW Office doors -  $R_w$  even up to 43dB,
- ✓ the narrow structure of the aluminum door frame - only 68 mm wide - creates a light and delicate visual effect, harmonizing with the permanent glazing profiles,
- ✓ many finishing options - aluminum profiles are available in a wide range of colors of anodic or varnish coating with corresponding color selection of the seals.



# Urban Plus door

## Specification

Durability*	Class 6 (200 000 cycles)
Type of glass single-glazed	ESG 8, 10; VSG 44.1, 44.2, 55.1, 55.2
Type of glass double-glazed	ESG 6, 8; VSG 33.1, 33.2, 44.1, 44.2
Max height (mm)	3000
Max width (mm)	1000
Acoustic insulation single-glazed	$R_w$ 35 ÷ 39 dB; 34 ÷ 38 dB
Acoustic insulation double-glazed	$R_w$ 39 ÷ 43 dB; $R_{A1}$ = 37 ÷ 42 dB
Smoke tightness	on request
Fire resistance	-
Materials / finish	Anodized aluminum / Aluminum RAL



\* According to PN-EN 12400:2004

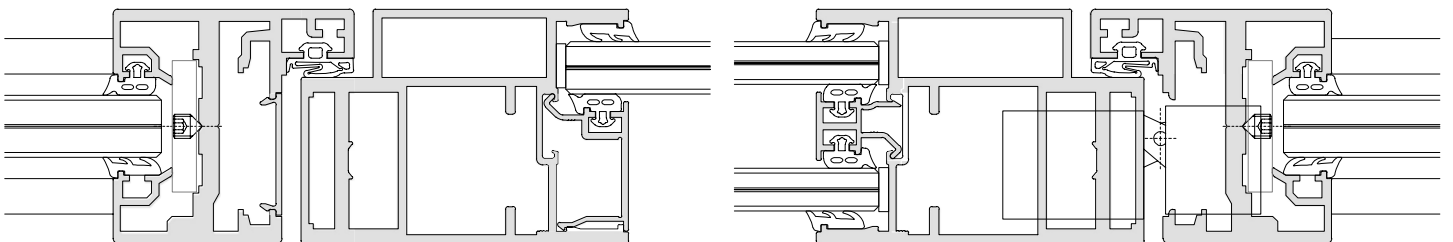
## Acoustic insulation

Glass	$R_w$ [dB]	C [dB]	$R_{A1}$ [dB]	$R_{A1,R}$ [dB]
VSG 44.1	35	-1	34	32
VSG 44.2 Si*	38	-1	37	35
VSG 55.2 Si*	39	-1	38	36
VSG 33.1 + VSG 33.1	39	-2	37	35
VSG 33.1 + VSG 44.2 Si*	41	-1	40	38
VSG 44.2 Si + VSG 44.2 Si*	43	-1	42	40

## Acoustic insulation - double-leaf

Glass	$R_w$ [dB]	C [dB]	$R_{A1}$ [dB]	$R_{A1,R}$ [dB]
VSG 33.1 + VSG 44.2 Silence	38	-1	37	35

\*Si - Saint-Gobain Glass Stadip Silence



There is also a version with a hidden hinge in the door frame.