



$R_w$  39 ÷ 43 dB



system consistency  
with GSW Office



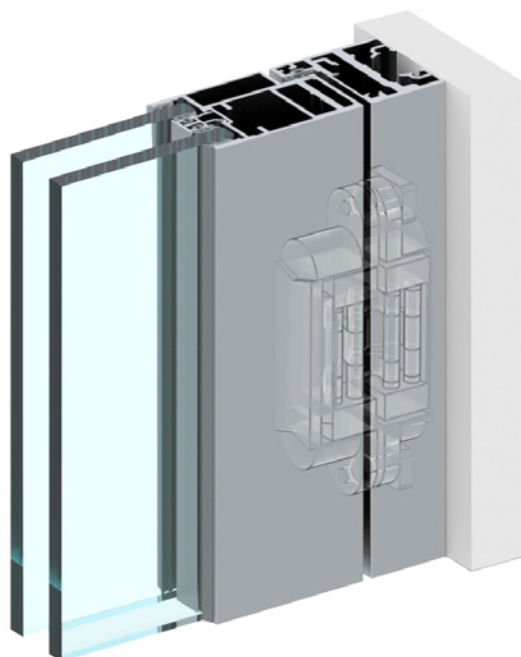
smoke-tight

Urban Plus door  
smoke-tight

## System description

Double glazed glass doors in an aluminum frame. High aesthetic and design values, with very high acoustic insulation parameters.

- installation in plasterboard and brick walls,
- double glazing provides the highest possible acoustic insulation parameters in GSW Office doors -  $R_w$  even up to 43dB,
- the narrow structure of the aluminum door frame - only 68 mm wide - creates a light and delicate visual effect, harmonizing with the permanent glazing profiles,
- many finishing options - aluminum profiles are available in a wide range of colors of anodic or varnish coating with corresponding color selection of the seals.

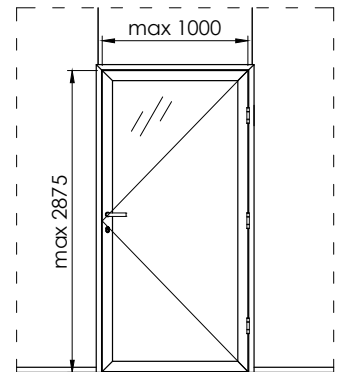


# Urban Plus door smoke-tight

## Specification

Durability*	Class 6 (200 000 cycles)
Type of glass	VSG 33.1, 44.2
Max height (mm)	2875
Max width (mm)	1000
Acoustic insulation	$R_w$ 39 ÷ 43 dB; $R_{A1}$ 37 ÷ 42 dB
Materials / finish	Anodized aluminum / Aluminum RAL
Smoke tightness	Class $S_{ar}$ , $S_{200}$

\* According to PN-EN 12400:2004



## Acoustic insulation

Glass	$R_w$ [dB]	C [dB]	$R_{A1}$ [dB]	$R_{A1,R}$ [dB]
VSG 33.1 + VSG 33.1	39	-2	37	35
VSG 33.1 + VSG 44.2 Si*	41	-1	40	38
VSG 44.2 Si + VSG 44.2 Si*	43	-1	42	40

\*Si - Saint-Gobain Glass Stadip Silence

